

# Eskimo Cup

## Make Your Last Sip Colder Than Your First



The Eskimo Cup accommodates a variety of beverages, including a 12-oz beer, 16.9-oz water and 16-oz soda.

The Dometic Eskimo Cup is a refrigerated cup holder that can be installed in any convenient location to keep drinks refrigerator-cold (results may vary based on environmental conditions).

The Eskimo Cup makes your last sip even colder than your first. It allows boaters to keep a can, bottle or any appropriately sized beverage container chilled on even the hottest days—something that a typical cup holder or can koozie can't begin to accomplish. Simply store your drink in the Eskimo Cup between sips.

Designed as a marine-tough open-top cylinder that replaces nearly any existing standard 4-inch (102 mm) cup holder, it is large enough to fit a 20-ounce (591 ml) water or soda bottle, and also accommodates a standard-size beer or soda can. A specially angled bottom insert keeps bottles or cans in constant physical contact with the sidewall cooling element.

The Eskimo Cup is designed to accommodate mounting into surfaces of various thicknesses. A polished marine-quality 316 stainless steel trim ring finishes the surface installation and is accented with two blue LED interior lights. The aluminum interior has a corrosion-resistant, non-stick surface for easy cleaning and a built-in drain eliminates condensation, rain, and water splashes.

Beneath the installation surface, the aluminum interior is chilled by a DC-powered premium thermoelectric Peltier element and insulated for maximum effectiveness. The electronics are completely sealed and protected against water spray. The below-surface installation area requires ventilation for heat dissipation, so the area should not be fully enclosed.

Powered by the house battery, control of all the Eskimo Cups can be managed under a single switch or set up by zone. Each unit includes a low-voltage cut off to avoid a dead battery, a high-heat cut off, and an in-line fuse.



The Eskimo Cup features two blue LED interior lights.



The Eskimo Cup's electronics are completely sealed and protected from salt spray.



Aluminum interior of the Eskimo Cup has corrosion-resistant, non-stick surface with built-in drain.

### Key Benefits

- Keep drinks refrigerator-cold
- Maintains or reduces temperature of cold drinks
- Replaces most standard cup holders
- Holds bottles or cans
- Polished marine-quality 316 stainless-steel trim ring
- Two blue LED interior lights
- Mounts into surfaces of various thicknesses
- DC-powered premium thermoelectric Peltier cooling element
- Marine-tough
- Built-in drain
- Low-voltage cut off, high-heat cut off, and in-line fuse

### Product Testimonial

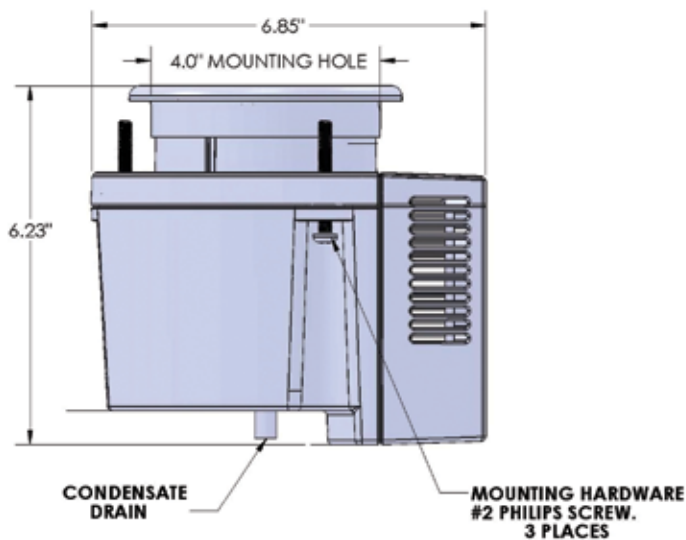
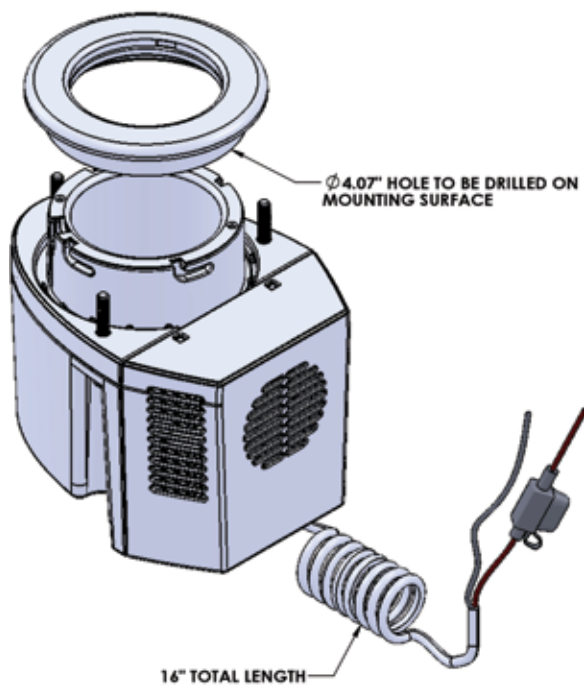
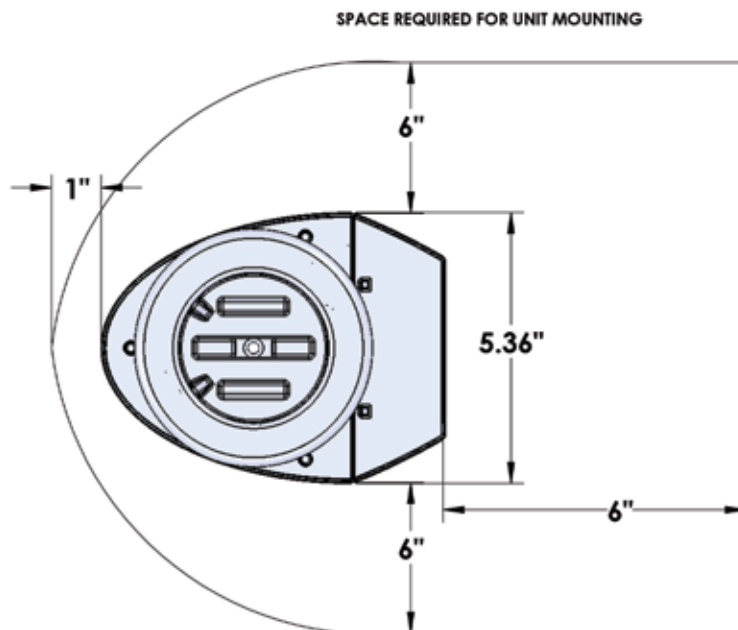
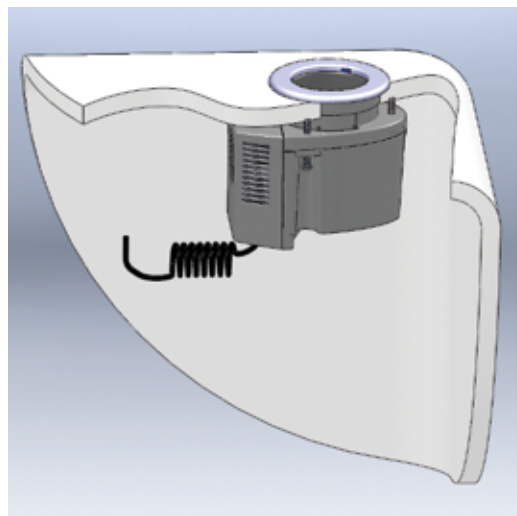
"The Dometic Eskimo Cup is a game changer. I have a tumbler that I fill with ice and water. It fits snugly into the Eskimo Cup and it stayed cold all day long, and even had ice in it at the end of the day. Later I put a Corona bottle in there, and same thing, it stayed cold. I have one on my boat now but I'm definitely going to install another one."

— Greg Lentine, owner, 24-foot Yellowfin Bay Boat

## Specifications for Dometic Eskimo Cup

Part Number	Amps	Power	Height (in/mm)	Width (in/mm)	Depth (in/mm)	Interior Diameter (in/mm)	Cutout Diameter (in/mm)	Power Cord Length (in/mm)	Weight (lbs/kg)
250140101	3.1	12V DC	6.23/159	5.36/137	6.85/174	2.95/75	4.0/102	16/407	2.11/0.96

## Dimensions



### DOMETIC MARINE DIVISION

2000 N. Andrews Ave. Ext. | Pompano Beach, FL 33069 USA | Tel. 954-973-2477 | Fax: 954-979-4414  
 www.Dometic.com/Marine | MarineSales@DometicUSA.com

### 24/7 TECH SUPPORT FOR UNITED STATES & CANADA:

8:00 AM to 5:00 PM Eastern Time: 800-542-2477  
 After hours and weekends: 888-440-4494

### INTERNATIONAL SALES & SERVICES

Europe & the Middle East: Call +44(0)870-330-6101  
 For all other areas visit our website to find your nearest distributor.

Dealer